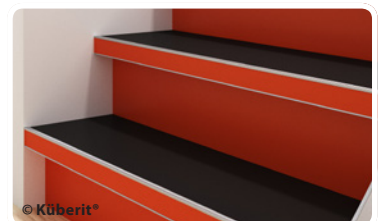




KÜBERIT-BEST Stair Nosing Profile 845

The new single-piece stair nosing profile solution

- The innovative stair nosing profile for resilient floors of up to 3 mm
- Insert carpets or LVT-floors of up to 5 mm
- Integrate messages or advertisement
- Easy installation on wood stars with straight footstep edge
- Also for concrete stairs



KÜBERIT-BEST Stair Nosing Profile 845

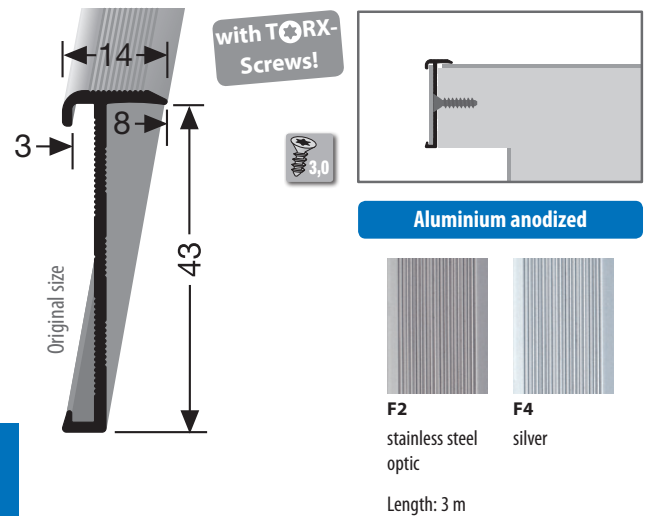


NEW STAIR NOSING SOLUTION FOR LVT-FLOORS

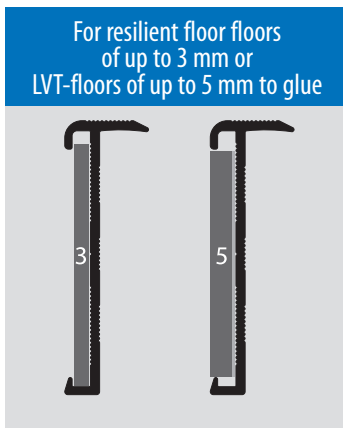


The new single-piece stair nosing profile was especially developed for floor coverings up to 3 mm:

- Insert floors and carpets of up to 3 mm (up to 5 mm to glue)
- Fast and easy to install
- Decor matching or contrast on stair nosings with the same or respective different coverings
- Alternatively advertisements or indications can be inserted with our digital-printing technology on request
- As a special highlight mirrors can be fitted in



Subject to technical changes and deviations in colour.



NEW!
Our Profile book also as **APP!**

